

Tanaka Illustrated Parts Manual

Model Number:

TBC-300SDH

GRASS TRIMMER/BRUSHCUTTER

P/N 28579

Rev 001

Date 08-01-00



Supplier To The Outdoor Power Equipment Industry

ISM, Inc. • 1028 4th Street SW, Ste "B" • Auburn, WA 98001 • Phone: (253) 333-1200 • Fax: (253) 333-1212

TBC-300SDH

Dual Handle Trimmer / Brush Cutter



Features / Benefits

— **29cc, 1.6 hp engine** features two piston rings and a stress relieved, chrome plated cylinder for long engine life.

— **Split Dual Handles** help reduce fatigue and provides more control during long periods of use.

— **Heavy-duty anti-vibration system** includes padded front handles and heavy-duty rubber mount between the engine and shaft.

— **Two Cutting Options Standard 5" Semi-Automatic head and 9" - 80 saw blade** provide the versatility to go from grass trimming to small sapling cutting quickly and easily.

— **1 / 2 / 5 Warranty Coverage** provides **One-Year** coverage for professionals, **Two-Year** Coverage for Homeowners, and **Five Years** on the Electronic Ignition Module.

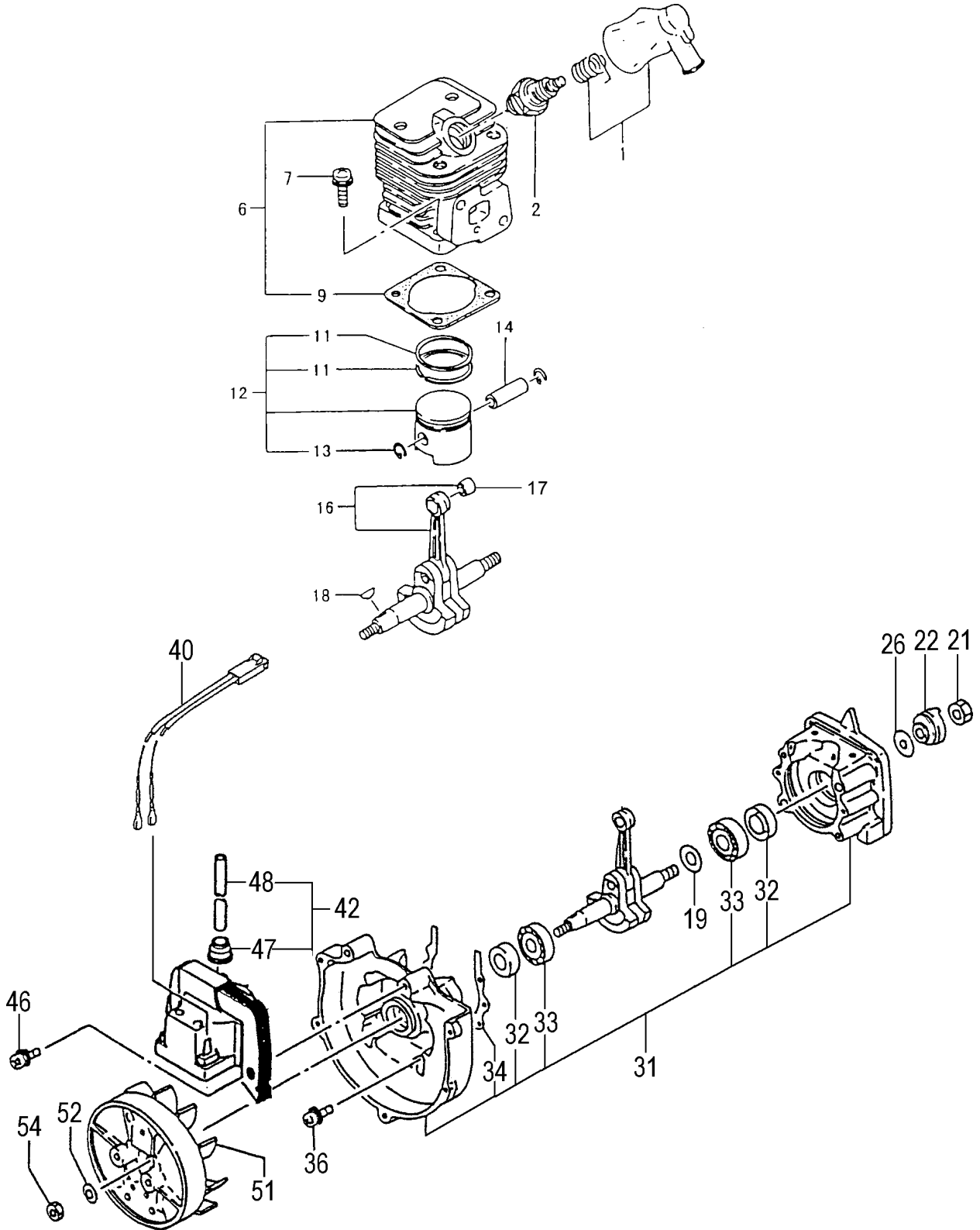
Specifications

| | |
|-----------------------------------|-------------------------------------|
| Engine Displacement cc (cu. in.) | 29 (1.8) |
| Power (h.p.) | 1.6 |
| Cylinder | Chrome Plated, Stress Relieved |
| Carburetion | Walbro Diaphragm with Primer |
| Ignition System | Transistorized Electronic |
| Fuel Tank Capacity / fl. oz. (cc) | 28.7 (850) |
| Anti-Vibration | Engine Mount & Handle |
| Clutch System | Heavy-Duty Centrifugal |
| Shaft Support | 5 Shaft Bearings |
| Drive System | 7mm Solid Steel Shaft |
| Standard Cutting Head | 5" Semi-Automatic Feed (.095" Line) |
| Standard Cutting Blade | 9" - 80 Tooth Saw Blade |
| Dry Weight / lbs. (kg) w/head | 14.2 (6.5) |

Optional Accessories:

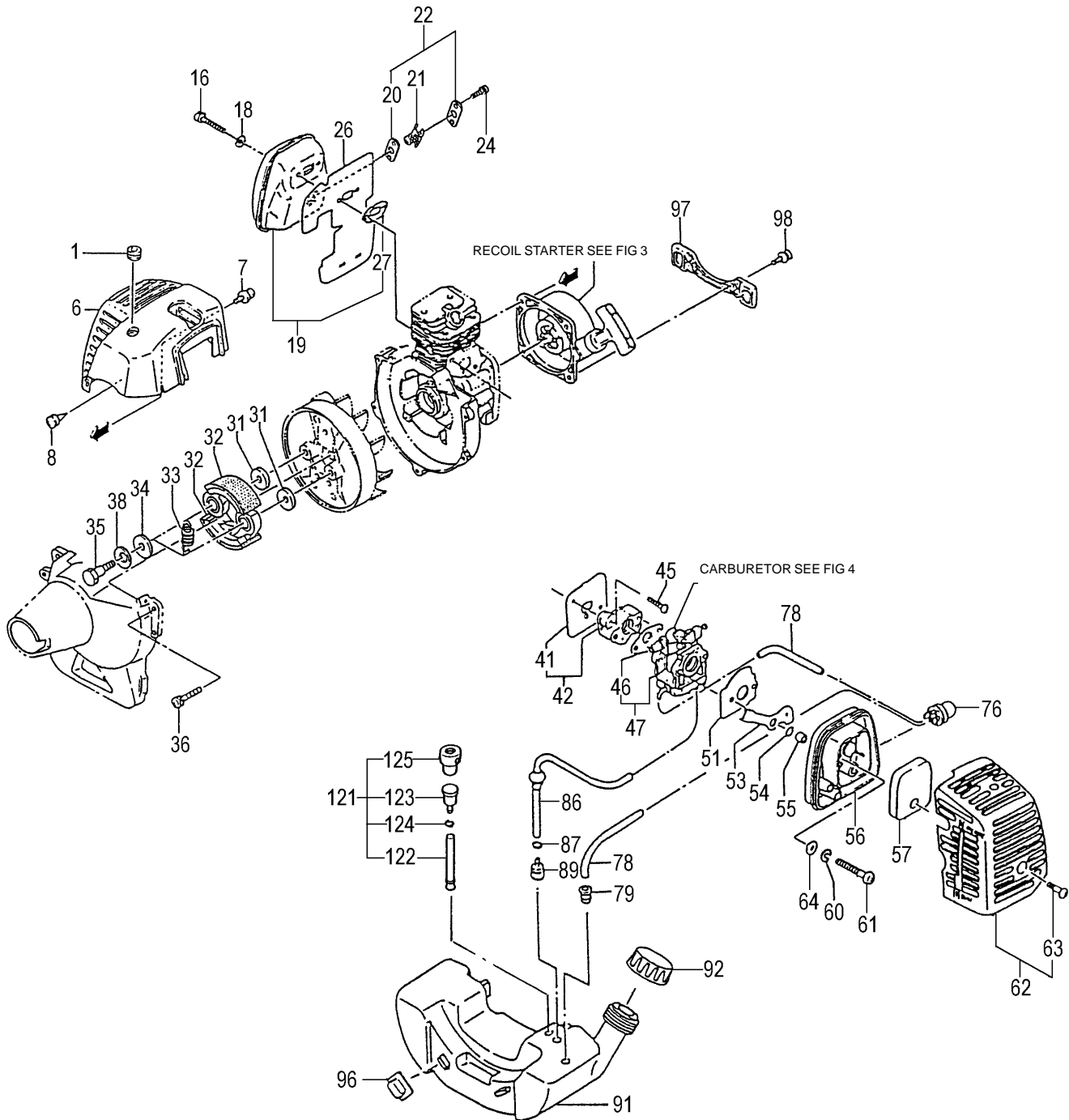
| ORDER # | DESCRIPTION |
|---------|--------------------------------|
| 746251 | BRAIN® Auto feed head (TH-95) |
| 746751 | BRAIN® Auto feed head (TH-97) |
| 746280 | Aluminum fixed line head |
| 746290 | Aluminum manual feed head |
| 746353 | 6" semi-auto head |
| 746191 | Single shoulder strap |
| 746291 | Deluxe shoulder harness |
| TMC-200 | Cultivator attachment |
| Varies | Copolymer Nylon Cutting line |
| Varies | Perfect Mix 2-Cycle Engine Oil |

All data and specifications are subject to change without notice
For more information, contact:



ENGINE / CYLINDER, PISTON, CRANKSHAFT • FIGURE 1

| ITEM | PART NUMBER | DESCRIPTION | QTY | COMMENTS |
|------|-------------|-------------------------|-----|--|
| 1-1 | 1570097A900 | CAP, SPARK PLUG, ASS'Y | 1 | |
| 1-2 | 01802233200 | PLUG, SPARK | 1 | |
| 1-6 | 0010128090 | SET, CYLINDER | 1 | |
| 1-7 | 99414050161 | SCREW, 5X16/S | 4 | |
| 1-9 | 0170128020 | GASKET, CYLINDER | 1 | Includes cylinder gasket |
| 1-11 | 0410170020 | RING, PISTON | 2 | |
| 1-12 | 0300128090 | SET, PISTON | 1 | Includes rings, and circlips |
| 1-13 | 03900000201 | CIRCLIP, PISTON PIN | 2 | |
| 1-14 | 03701700200 | PIN, PISTON | 1 | |
| 1-16 | 0460165A81 | CRANKSHAFT | 1 | |
| 1-17 | 99962091325 | BEARING, NEEDLE, F-910 | 1 | |
| 1-18 | 06810100200 | KEY, WOODRUFF, 3X13X4.5 | 1 | |
| 1-19 | 33000200210 | SHIM, 12.2X19X.10 | V | *Shims are "as needed" to obtain |
| 1-19 | 33000200220 | SHIM, 12.2X19X.15 | V | correct side clearance |
| 1-19 | 33000200230 | SHIM, 12.2X19X.20 | V | |
| 1-19 | 33000200240 | SHIM, 12.2X19X.30 | V | |
| 1-21 | 99101080011 | NUT, 8 | 1 | |
| 1-22 | 79801630200 | PULLEY, STARTER | 1 | |
| 1-26 | 35910112203 | WASHER, CLUTCH B | 1 | |
| 1-31 | 0720128091 | CRANKCASE ASSY | 1 | *Crankcase assy includes bearings, seals |
| 1-32 | 99966122240 | SEAL, OIL, #12227 | 2 | and gaskets. |
| 1-33 | 99961600100 | BEARING, BALL, #6001 | 2 | |
| 1-34 | 0900060120 | GASKET, CRANKCASE | 1 | |
| 1-36 | 99414050251 | SCREW, 5X25 | 4 | |
| 1-40 | 1910129G90 | ASSY, LEAD WIRE | 1 | |
| 1-42 | 1672052190 | COIL, IGNITION | 1 | |
| 1-46 | 99416050201 | SCREW, 5X20/WS | 2 | |
| 1-47 | 56020517200 | CAP, RUBBER | 1 | |
| 1-48 | 26420516200 | LEAD, HIGH TENSION | 1 | |
| 1-51 | 1552050980 | ROTOR, MAGNETO | 1 | |
| 1-52 | 99200080011 | WASHER, 8 | 1 | |
| 1-54 | 99101080011 | NUT, 8 | 1 | |

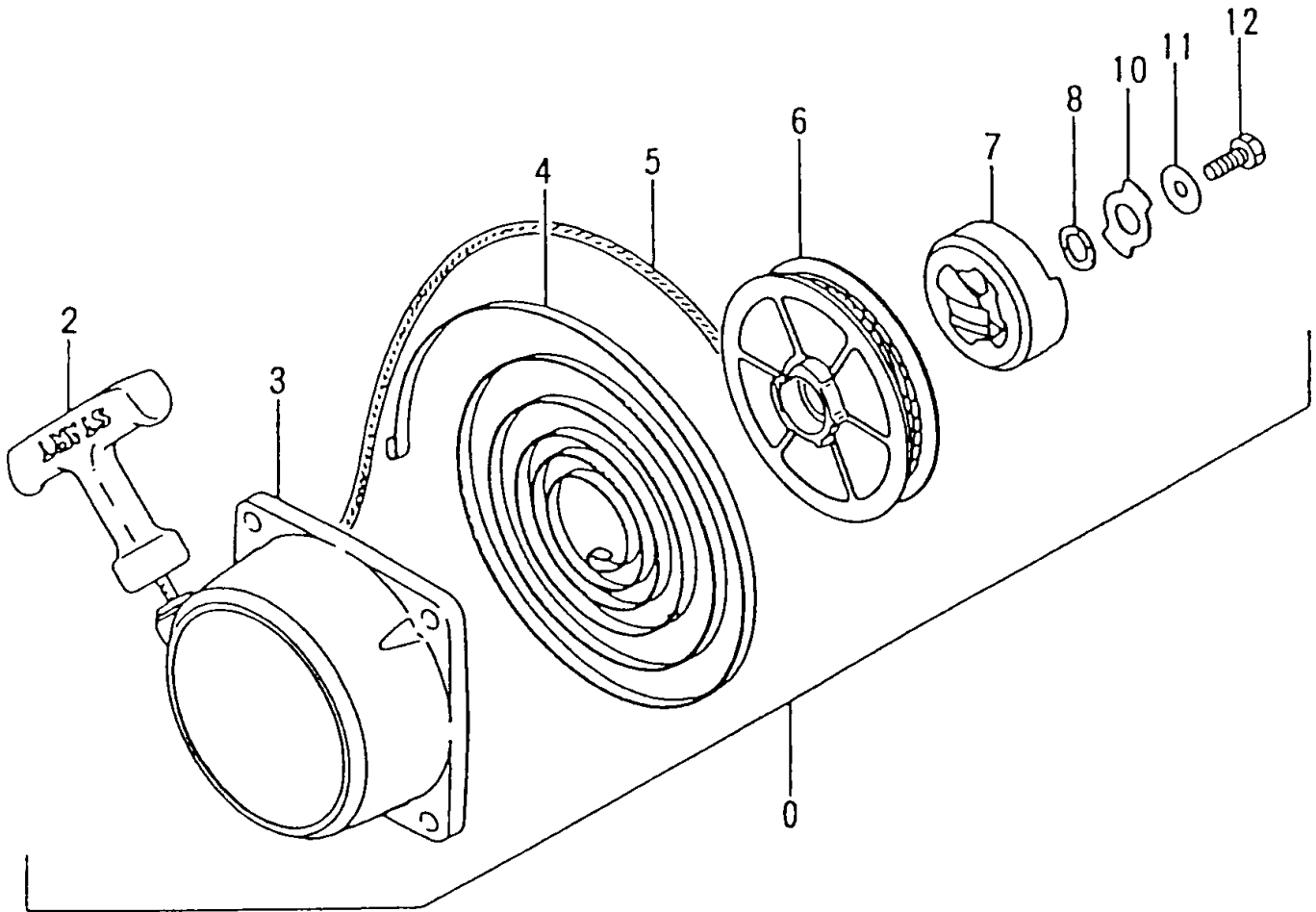


CLUTCH, MUFFLER, AIR CLEANER, FUEL SYSTEM • FIGURE 2

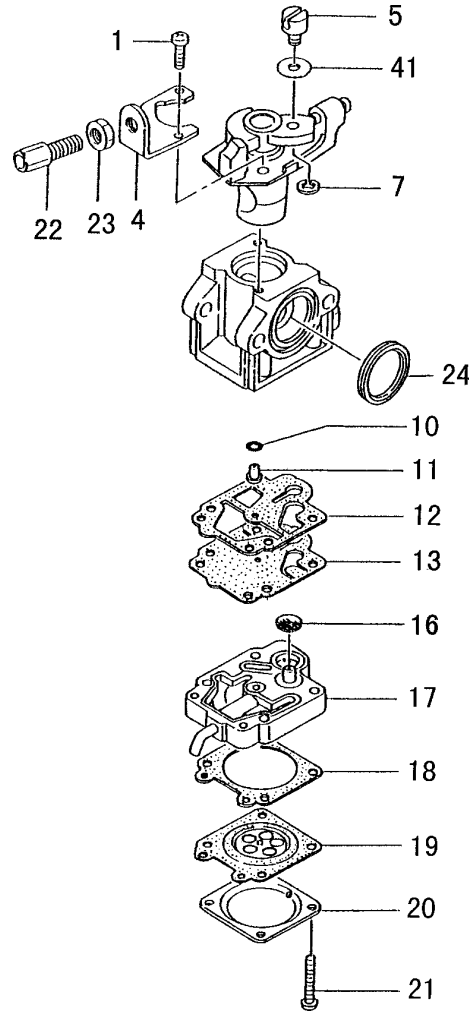
| ITEM | PART NUMBER | DESCRIPTION | QTY | COMMENTS |
|------|-------------|------------------------|-----|----------|
| 2-1 | 20201003201 | GROMMET,SECONDARY CORD | 1 | |
| 2-6 | 7380097A21 | PROTECTOR,MUFFLER | 1 | |
| 2-7 | 99415040222 | SCREW,PS,4X22 | 2 | |
| 2-8 | 99072045164 | SCREW,TAPPING,4.5X16 | 2 | |
| 2-16 | 99053060503 | SCREW,HEX,6X50 | 2 | |
| 2-18 | 99201060011 | WASHER,6 | 2 | |
| 2-19 | 7040097A91 | SET,MUFFLER | 1 | |
| 2-20 | 75104200201 | GASKET,MUFFLER | 1 | |
| 2-21 | 7320631A200 | ARRESTER,SPARK | 1 | |
| 2-22 | 7340099K90 | PIPE,EXHAUST | 1 | |
| 2-24 | 99434040081 | SCREW,4X8/S | 2 | |
| 2-26 | 1330097A21 | SHIELD,HEAT | 1 | |
| 2-27 | 7370165A201 | GASKET,MUFFLER | 1 | |
| 2-31 | 35902103200 | WASHER,CLUTCH,B | 2 | |
| 2-32 | 29001620800 | SHOE,CLUTCH | 2 | |
| 2-33 | 3420630B200 | SPRING,CLUTCH | 1 | |
| 2-34 | 3480602R200 | WASHER,CLUTCH A | 2 | |
| 2-35 | 3570075T200 | BOLT,STEP | 2 | |
| 2-36 | 99416050162 | SCREW,5X16/WS | 3 | |
| 2-38 | 99205080030 | WASHER,8 | 2 | |
| 2-41 | 4030097A21 | GASKET,INLET MANIFOLD | 1 | |
| 2-42 | 4040097A90 | SET,CARB INSULATOR | 1 | |
| 2-45 | 99416050241 | SCREW 5x24WS | 2 | |
| 2-46 | 4020602K21 | GASKET,CARBURETOR | 1 | |
| 2-47 | 4550129A90 | SET,CARBURETOR | 1 | |
| 2-51 | 4360162V20 | BASE,CLEANER | 1 | |
| 2-53 | 5280097A21 | LEVER,CHOKE | 1 | |
| 2-54 | 99967008012 | O-RING,S-8 | 1 | |
| 2-55 | 4700602N200 | COLLAR,CLEANER | 1 | |
| 2-56 | 4230637C800 | BODY,CLEANER | 1 | |
| 2-57 | 4460637C200 | ELEMENT,CLEANER | 1 | |
| 2-60 | 99210050012 | WASHER,S,5 | 2 | |
| 2-61 | 99011050602 | SCREW,5X60 | 2 | |
| 2-62 | 4520165V90 | COVER,CLEANER ASS'Y | 1 | |
| 2-63 | 3800637C200 | BOLT,CLEANER COVER | 1 | |
| 2-64 | 99200050011 | WASHER,SMALL,5 | 2 | |

CLUTCH, MUFFLER, AIR CLEANER, FUEL SYSTEM • FIGURE 2

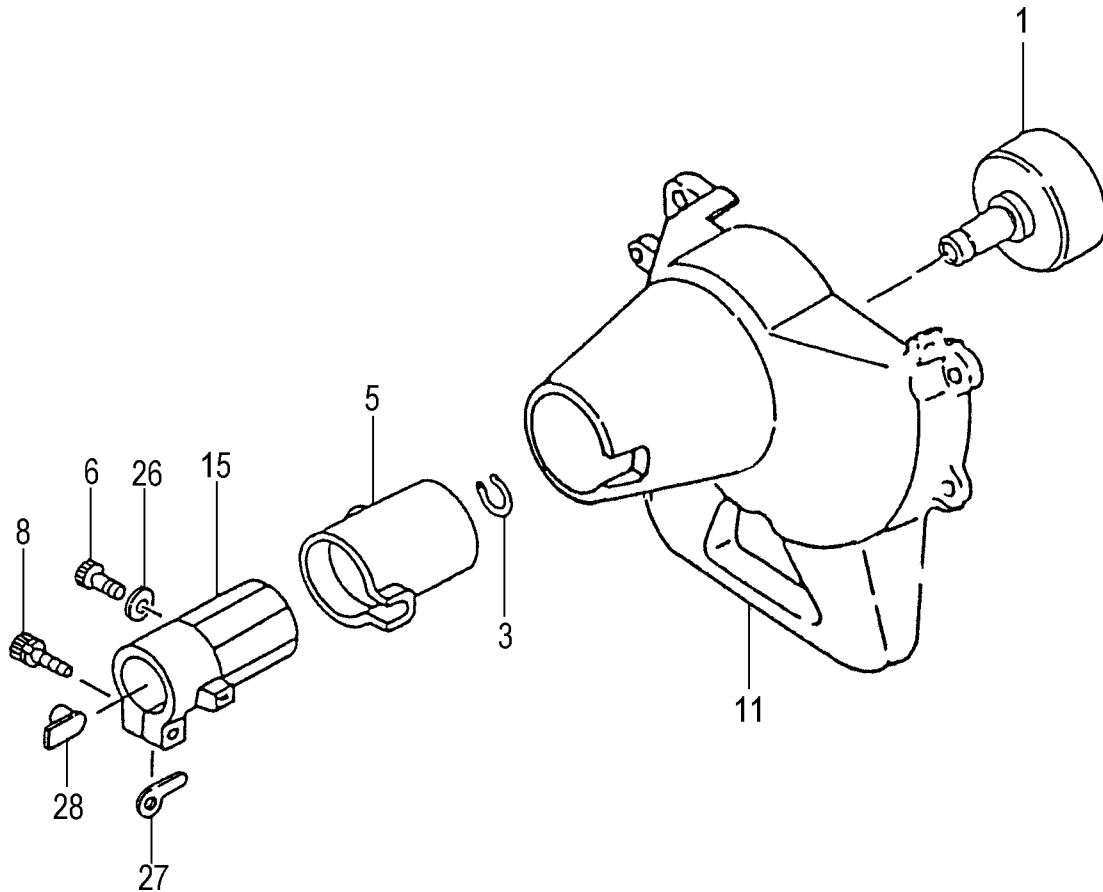
| ITEM | PART NUMBER | DESCRIPTION | QTY | COMMENTS |
|-------|-------------|---------------------------|-----|----------|
| 2-76 | 44225143800 | PUMP, PRIMING ASS'Y | 1 | |
| 2-78 | 70002504080 | PIPE, FUEL, 2.5X4X80 | 2 | |
| 2-79 | 53432710200 | GROMMET, FUEL PIPE | 1 | |
| 2-86 | 2230162V900 | PIPE, FUEL, ASS'Y | 1 | |
| 2-87 | 68000731201 | CLIP 6.3 | 1 | |
| 2-89 | 6750404280 | FILTER, FUEL | 1 | |
| 2-91 | 5910129420 | TANK, FUEL | 1 | |
| 2-92 | 5950656B90 | CAP, FUEL BLACK, NON VENT | 1 | |
| 2-96 | 65500940201 | CUSHION, FUEL TANK | 4 | |
| 2-97 | 6530097A20 | TANK BRACKET | 1 | |
| 2-98 | 99415040222 | SCREW, PS, 4X22 | 4 | |
| 2-121 | 5640660191 | AIR VENT VALVE PIPE | 1 | |
| 2-122 | 5650660121 | AIR VENT PIPE | 1 | |
| 2-123 | 6463252L90 | AIR VENT VALVE ASS'Y | 1 | |
| 2-124 | 68000206200 | CLIP 5.5 | 1 | |
| 2-125 | 5610007020 | AIR VENT RUBBER CAP | 1 | |



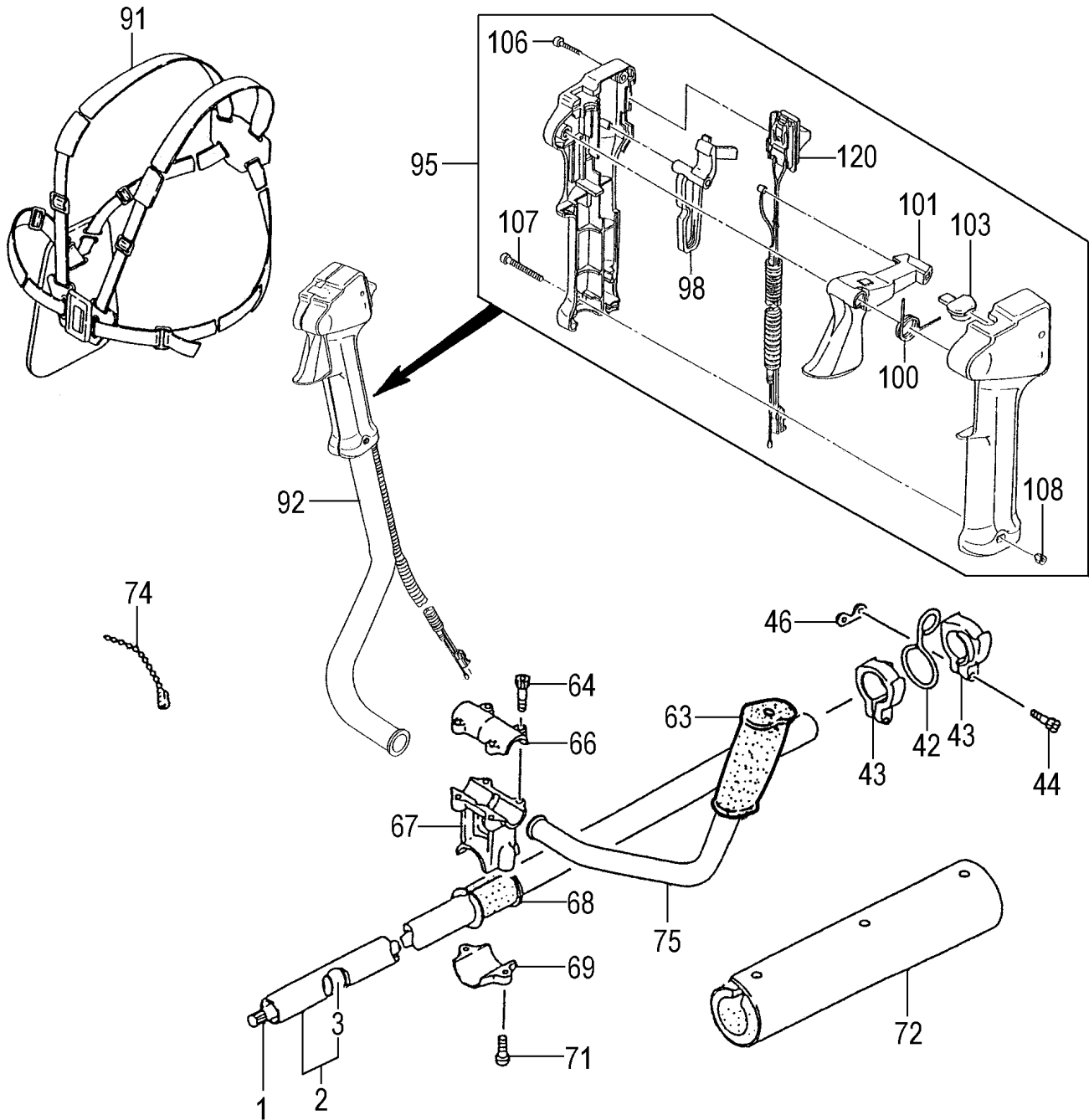
| ITEM | PART NUMBER | DESCRIPTION | QTY | COMMENTS |
|------|-------------|------------------------|-----|-----------------------|
| 3-0 | 7620094090 | STARTER, RECOIL ASS'Y | 1 | |
| 3-2 | 78500940200 | HANDLE, STARTER | 2 | |
| 3-3 | 77200940801 | BODY, STARTER | 1 | |
| 3-4 | 78000940200 | SPRING, RECOIL | 1 | |
| 3-5 | 78300940200 | ROPE, STARTER | 1 | |
| 3-6 | 77400940200 | REEL, STARTER ROPE | 1 | Prior to S/N V218191 |
| 3-6 | 7740163021 | REEL, STARTER ROPE | 1 | S/N V218191 and after |
| 3-7 | 7880163021 | PAWL, STARTER | 1 | |
| 3-8 | 80105015200 | WASHER, STARTER PULLEY | 1 | |
| 3-10 | 8370501521 | PLATE, FRICTION | 1 | |
| 3-11 | 82205015200 | SHIM, STARTER PULLEY | 1 | Prior to S/N V218191 |
| 3-11 | 8220423020 | SHIM, STARTER PULLEY | 1 | S/N V218191 and after |
| 3-12 | 8390423020 | BOLT, SET | 1 | |



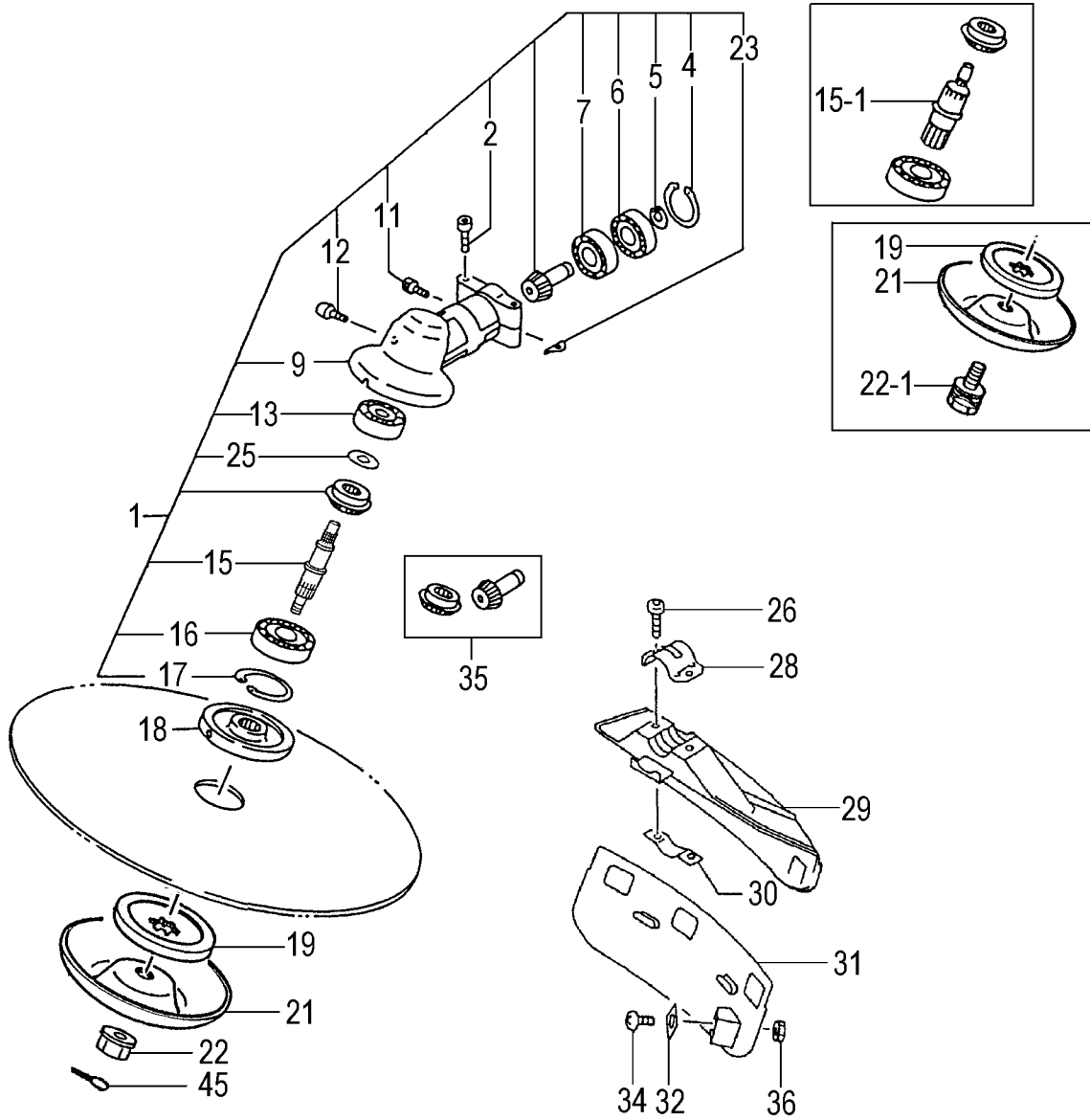
| ITEM | PART NUMBER | DESCRIPTION | QTY | COMMENTS |
|------|-------------|----------------------|-----|--|
| 4-0 | 4550129A90 | CARBURETOR | 1 | |
| 4-1 | 51425100200 | SCREW, THROTTLE SET | 2 | |
| 4-4 | 54425164200 | STAY, ADJUST, CABLE | 1 | * Contained in Carb Repair Kit P/N 650-25124-900 (Not available individually) |
| 4-5 | 53925120200 | SWIVEL | 1 | |
| 4-7 | 48925100200 | RING, STOP | 1 | |
| 4-10 | 55025100200 | O-RING | 1 | |
| 4-11 | 599200AW42 | JET, MAIN, #42 | 1 | |
| 4-12 | ~ ~ ~ | *GASKET, PUMP | 1 | |
| 4-13 | ~ ~ ~ | *DIAPHRAGM, PUMP | 1 | |
| 4-16 | ~ ~ ~ | *SCREEN, INLET | 1 | |
| 4-17 | 5752514780 | BODY, PUMP ASS'Y | 1 | |
| 4-18 | ~ ~ ~ | *GASKET, DIAPHRAGM | 1 | |
| 4-19 | ~ ~ ~ | *DIAPHRAGM, METERING | 1 | |
| 4-20 | 47625004200 | COVER, DIAPHRAGM | 1 | |
| 4-21 | 54825101200 | SCREW, SET | 4 | |
| 4-22 | 61425137200 | ADJUSTER, CABLE | 1 | |
| 4-23 | 99101060013 | NUT, 6 | 1 | |
| 4-24 | 4310634C200 | GASKET, CLEANER | 1 | |
| 4-41 | 5492516520 | WASHER, THRUST | 1 | |



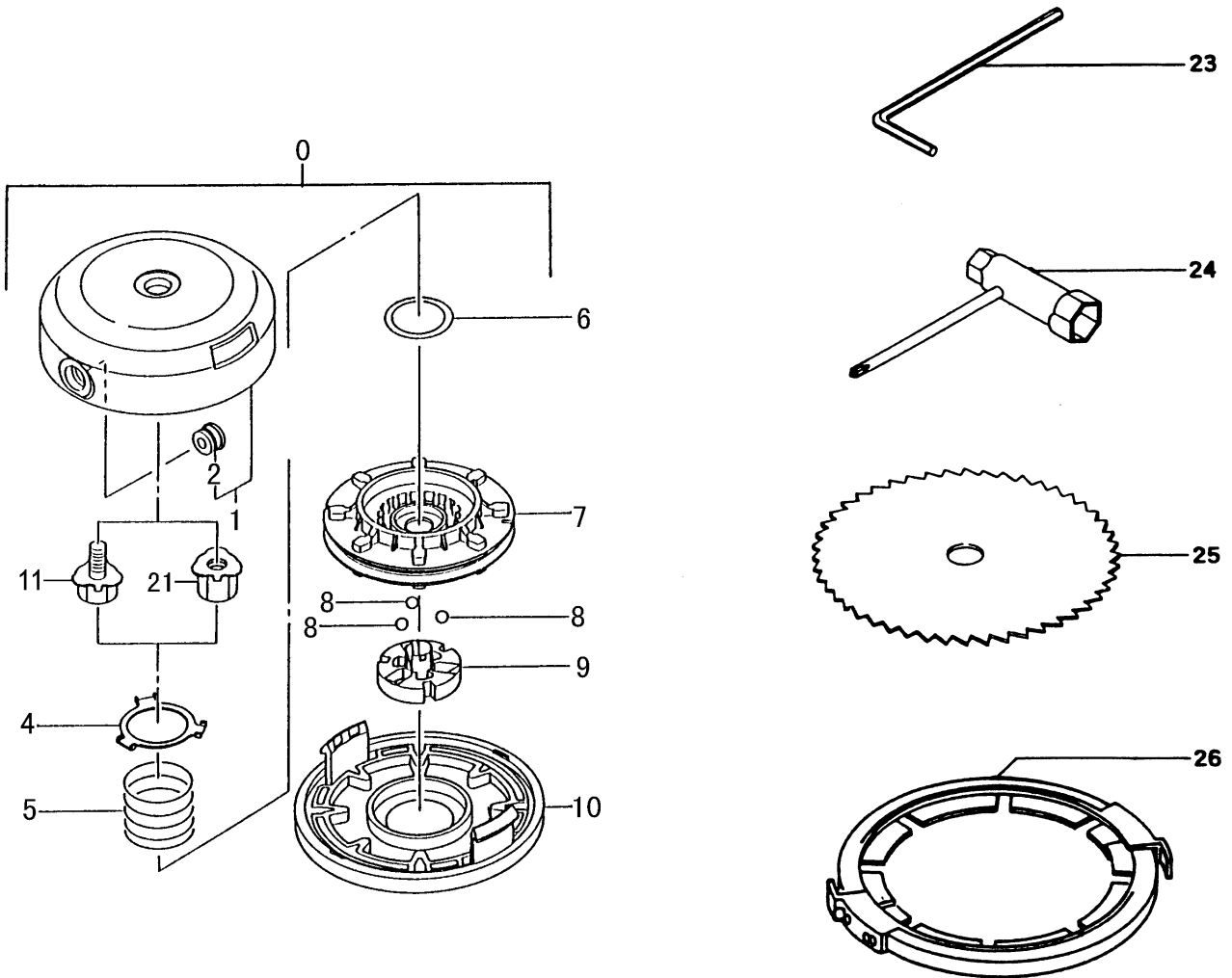
| ITEM | PART NUMBER | DESCRIPTION | QTY | COMMENTS |
|------|-------------|---------------------|-----|-----------------------|
| 5-1 | 2890098080 | DRUM,CLUTCH | 1 | |
| 5-3 | 99350012002 | RING,STOP,C-12 EX | 1 | |
| 5-5 | 5990098021 | CUSHION,RUBBER | 1 | |
| 5-6 | 99051050163 | BOLT,HEX,5X16 | 1 | |
| 5-8 | 99461050254 | BOLT,HEX HOLE,5X25S | 1 | |
| 5-11 | 11201280812 | SET,FAN CASE | 1 | *Includes Bearing |
| 5-15 | 3600129020 | HOLDER,PIPE 26 DIA | 1 | |
| 5-26 | 99201050061 | WASHER,5 | 1 | S/N T252658 and after |
| 5-27 | 3243735020 | WASHER,GEAR CASE | 1 | S/N T252658 and after |
| 5-28 | 3610099020 | FITTING,METAL | 1 | S/N T252658 and after |



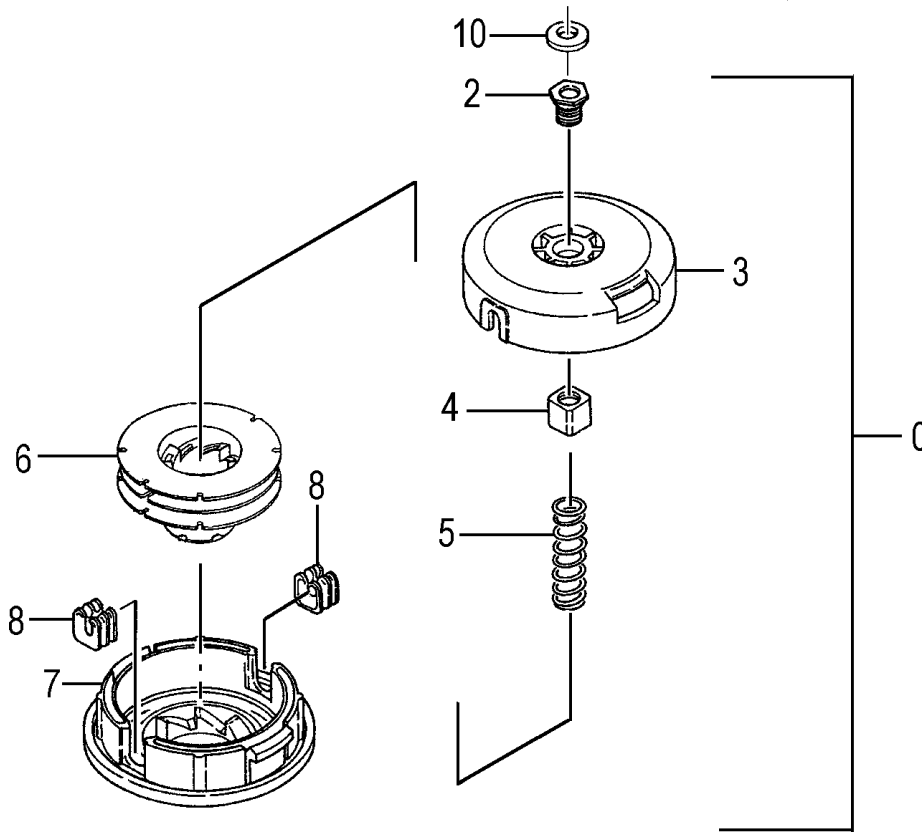
| ITEM | PART NUMBER | DESCRIPTION | QTY | COMMENTS |
|-------|-------------|-----------------------|-----|---------------------------------|
| 6-1 | 34337300200 | SHAFT,DRIVE | 1 | |
| 6-2 | 3413737880 | PIPE,DRIVE SHAFT | 1 | |
| 6-3 | 34737356900 | BUSHING,DRIVE SHAFT | 5 | |
| 6-42 | 33537307200 | METAL,LIFTING | 1 | |
| 6-43 | 33437352210 | COLLAR,LIFTING METAL | 2 | |
| 6-44 | 99462050304 | BOLT,HEX HOLE 5x30.P | 2 | |
| 6-46 | 31537304200 | NUT,SPECIAL | 1 | |
| 6-63 | 1653759020 | GRIP,HANDLE | 1 | |
| 6-64 | 99461050254 | BOLT,HEX HOLE,5X25S | 4 | |
| 6-66 | 50637304211 | BRACKET,HANDLE,A | 1 | Before S/N V243830 |
| 6-66 | 50637623200 | BRACKET,HANDLE,A | 1 | S/N V243831 and after |
| 6-67 | 50737304203 | BRACKET,HANDLE,B | 1 | Before S/N V057070 |
| 6-67 | 5073810020 | BRACKET,HANDLE,B | 1 | From S/N V057071 to S/N V243830 |
| 6-67 | 5073785020 | BRACKET,HANDLE,B | 1 | S/N V243831 and after |
| 6-68 | 5103735220 | RUBBER,CUSHION | 1 | Before S/N V057070 |
| 6-69 | 50837304211 | BRACKET,HANDLE,C | 1 | Before S/N V057070 |
| 6-69 | 5083758720 | BRACKET,HANDLE,26 DIA | 1 | From S/N V057071 to S/N V243830 |
| 6-69 | 5083758920 | BRACKET,HANDLE,C | 1 | S/N V243831 and after |
| 6-71 | 99481060254 | SCREW,HEX HOLE 6X25 | 2 | |
| 6-72 | 3363341182 | CUSHION | 1 | |
| 6-74 | 4603311120 | CLAMP."B" | 1 | |
| 6-75 | 5023367421 | HANDLE,LEFT | 1 | Before S/N V243830 |
| 6-75 | 5023741521 | HANDLE,LEFT | 1 | S/N V243831 and after |
| 6-91 | 746291 | SHOULDER STRAP | 1 | |
| 6-92 | 5013810220 | HANDLE,RIGHT | 1 | Before S/N V243830 |
| 6-92 | 5013782220 | HANDLE,RIGHT | 1 | S/N V243831 and after |
| 6-95 | 8703840190 | ASSY,THROTTLE LEVER | 1 | |
| 6-98 | 2533840020 | LEVER,SAFETY | 1 | |
| 6-100 | 8323840020 | SPRING,RETURN | 1 | |
| 6-101 | 8803840120 | LEVER,THROTTLE | 1 | |
| 6-103 | 3223840020 | GROMMET | 1 | |
| 6-106 | 9934604020 | SCREW, 4X20 | 2 | |
| 6-107 | 99431050303 | SCREW 5X30 BLACK | 1 | |
| 6-108 | 99101050043 | NUT,5 | 1 | |
| 6-120 | 8853840180 | WIRE, THROTTLE | 1 | INCLUDES STOP SWITCH ASSEMBLY |



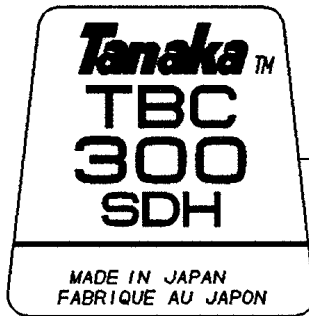
| ITEM | PART NUMBER | DESCRIPTION | QTY | COMMENTS |
|--------|-------------|--------------------------|-----|---------------------------------|
| 7-1 | 3003713490 | ASSY,GEAR CASE,26 MM | 1 | Before S/N V057070 |
| 7-1 | 3003758790 | ASSY,GEAR CASE,26MM | 1 | From S/N V057071 to S/N V243830 |
| 7-1 | 3003748090 | ASSY,GEAR CASE,26MM | 1 | S/N V243831 and after |
| 7-2 | 99461050254 | BOLT,HEX HOLE,5X25S | 2 | |
| 7-4 | 99351024002 | RING,STOP,C-28,IN | 1 | Before S/N V243830 |
| 7-4 | 99351022002 | RING,STOP,C-22,INNER | 1 | S/N V243831 and after |
| 7-5 | 99350009002 | RING,STOP,C9 | 1 | Before S/N V243830 |
| 7-5 | 99350010002 | RING,STOP,C10,OUTER | 1 | S/N V243831 and after |
| 7-6 | 99961609002 | BEARING,BALL,#609Z | 1 | Before S/N V243830 |
| 7-6 | 99961690002 | BEARING,BALL,#6900Z | 1 | S/N V243831 and after |
| 7-7 | 99961609000 | BEARING,BALL,#609 | 1 | Before S/N V243830 |
| 7-7 | 99961690000 | BEARING,BALL,#6900ST | 1 | S/N V243831 and after |
| 7-9 | 3003330B20 | CASE,GEAR | 1 | Before S/N V243830 |
| 7-9 | 3003748020 | CASE,GEAR | 1 | S/N V243831 and after |
| 7-11 | 99051050103 | BOLT,HEX.HOLE,5X10 | 1 | Before S/N V243830 |
| 7-11 | 99461050124 | BOLT,HEX.HOLE,5X12S | 1 | S/N V243831 and after |
| 7-12 | 99423080100 | BOLT,8X10 | 1 | Before S/N V243830 |
| 7-12 | 3163815020 | BOLT,FITTING,M8 | 1 | S/N V243831 and after |
| 7-13 | 99961628000 | BEARING,BALL,#628 | 1 | Before S/N V243830 |
| 7-13 | 99961609000 | BEARING,BALL,#609 | 1 | S/N V243831 and after |
| 7-15-1 | 3043713420 | SHAFT,GEAR | 1 | Before S/N V057070 |
| 7-15 | 3043810020 | SHAFT,GEAR | 1 | From S/N V057071 to S/N V243830 |
| 7-15 | 3043815020 | SHAFT,GEAR | 1 | S/N V243831 and after |
| 7-16 | 99961620103 | BEARING,BALL #6201D | 1 | |
| 7-17 | 99351032002 | RING,STOP,C-32 IN | 1 | |
| 7-18 | 3103810020 | HOLDER,CUTTER | 1 | Before S/N V243830 |
| 7-18 | 3103815020 | HOLDER,CUTTER | 1 | S/N V243831 and after |
| 7-19 | 3113810020 | CAP,CUTTER HOLDER | 1 | Before S/N V243830 |
| 7-19 | 3113815020 | CAP,CUTTER HOLDER | 1 | S/N V243831 and after |
| 7-21 | 30833410200 | COVER,PROTECTION,B | 1 | Before S/N V057070 |
| 7-21 | 3083786120 | COVER,PROTECTION,B | 1 | From S/N V057071 to S/N V243830 |
| 7-21 | 3083815020 | COVER,PROTECTION,B | 1 | S/N V243831 and after |
| 7-22-1 | 3123338620 | BOLT,FIXING,L.H.,FLANGED | 1 | Before S/N V057070 |
| 7-22 | 3133810020 | NUT,FIXING L.H. 10X1.25 | 1 | From S/N V057071 to S/N V243830 |
| 7-22 | 3133815020 | NUT,FIXING M10X1.25 | 1 | S/N V243831 and after |
| 7-23 | 3243735020 | WASHER,GEAR CASE | 1 | |
| 7-25 | 0673713420 | WASHER,SPECIAL | 1 | |
| 7-26 | 99481060254 | SCREW,HEX HOLE 6X25 | 2 | |
| 7-28 | 4423369921 | BRACKET,SAFETY GUARD | 1 | |
| 7-29 | 4413738020 | GUARD,SAFETY | 1 | |
| 7-30 | 4453738020 | HOLDER,GUARD | 1 | |
| 7-31 | 4473738020 | EXTENSION,GUARD | 1 | |
| 7-32 | 7973738021 | LIMITER,LINE | 1 | |
| 7-34 | 99414050121 | SCREW,S,5X12 | 1 | |
| 7-35 | 3013713400 | SET,GEAR PINION | 1 | Before S/N V243830 |
| 7-35 | 3013815000 | SET,GEAR PINION | 1 | S/N V243831 and after |
| 7-36 | 99101050011 | NUT,5 | 1 | |
| 7-45 | 3273718090 | PIN,COTTER 2X20 (10 PK) | 1 | S/N V057071 and after |



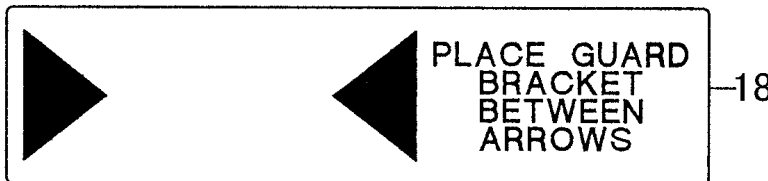
| ITEM | PART NUMBER | DESCRIPTION | QTY | COMMENTS |
|------|-------------|---------------------|-----|----------------------------|
| 8-0 | 746751 | HEAD, BRAIN 2000 | 1 | Units prior to S/N V243831 |
| 8-1 | 7863381091 | CUTTING BODY ASSY | 1 | |
| 8-2 | 7883307120 | EYELET | 1 | |
| 8-4 | 7853381020 | BASE,ADJUSTMENT | 1 | |
| 8-5 | 7933381022 | SPRING,REEL,YELLOW | 1 | |
| 8-6 | 7923381020 | WASHER,ADJUSTMENT | 1 | |
| 8-7 | 7873381020 | REEL | 1 | |
| 8-8 | 6733560020 | BALL,STEEL | 3 | |
| 8-9 | 7903381020 | SLIDER,REEL | 1 | |
| 8-10 | 7893381020 | CAP,BODY | 1 | |
| 8-11 | 3143381280 | BOLT,MOUNTING | 1 | Before S/N V057070 |
| 8-21 | 3153381080 | NUT,10x1.25,LHF | 1 | S/N V057071 and after |
| 8-23 | 81320000200 | WRENCH,HEX,4 | 1 | |
| 8-24 | 8262000080 | SPANNER,COMBI,17X19 | 1 | |
| 8-25 | 746104 | BLADE,9X80,1.6t | 1 | S/N V057071 and after |
| 8-26 | 6153722420 | COVER, CUTTER | 2 | |



| ITEM | PART NUMBER | DESCRIPTION | QTY | COMMENTS |
|------|-------------|----------------------|-----|-----------------------------|
| 0 | 746451 | HEAD, SEMI-AUTO 5" | 1 | After serial number V243831 |
| 2 | 3563383B20 | ADAPTER, 10X1.25 LHF | 1 | |
| 3 | 78633830200 | BODY, CUTTING | 1 | |
| 4 | 31533830200 | NUT, SPECIAL | 1 | |
| 5 | 79333830200 | SPRING | 1 | |
| 6 | 78733830200 | REEL | 1 | |
| 7 | 78933830200 | CAP, BODY | 1 | |
| 8 | 78833830200 | EYELET | 2 | |
| 10 | 99201120011 | WASHER, 12 | 1 | After serial number V243831 |



⚠ WARNING! •Read the Operator's Manual and follow all warnings and safety instructions. Failure to do so can result in serious injury to the operator and/or bystanders. •Objects may be thrown or ricochet in all directions. •ALWAYS WEAR EYE PROTECTION. •Keep bystanders at least 50 feet (15 m) away. •To reduce the chance of hearing loss, always wear ear protection. •To reduce the risk of injury from loss of control, never use a metal blade on a curved shaft grass trimmer. Never use a metal blade on any brushcutter without barrier bar or bicycle handle configuration and safety strap. •Use of a blade may cause a sudden sideways, forward or backward motion of the brushcutter when the blade contacts a solid object. See Owner's manual for model specific details.



| ITEM | PART NUMBER | DESCRIPTION | QTY | COMMENTS |
|------|-------------|-----------------------|-----|----------|
| 9-1 | 9060129420 | PLATE,NAME TBC-300SDH | 1 | |
| 9-3 | 95037900200 | DECAL,PRO-FORCE A | 1 | |
| 9-4 | 9233370020 | DECAL,LEVEL | 1 | |
| 9-5 | 95137503200 | DECAL,PRO-FORCE B | 1 | |
| 9-10 | 9193738F20 | DECAL,CAUTION,A | 1 | |
| 9-18 | 9233728620 | DECAL,LEVEL | 1 | |